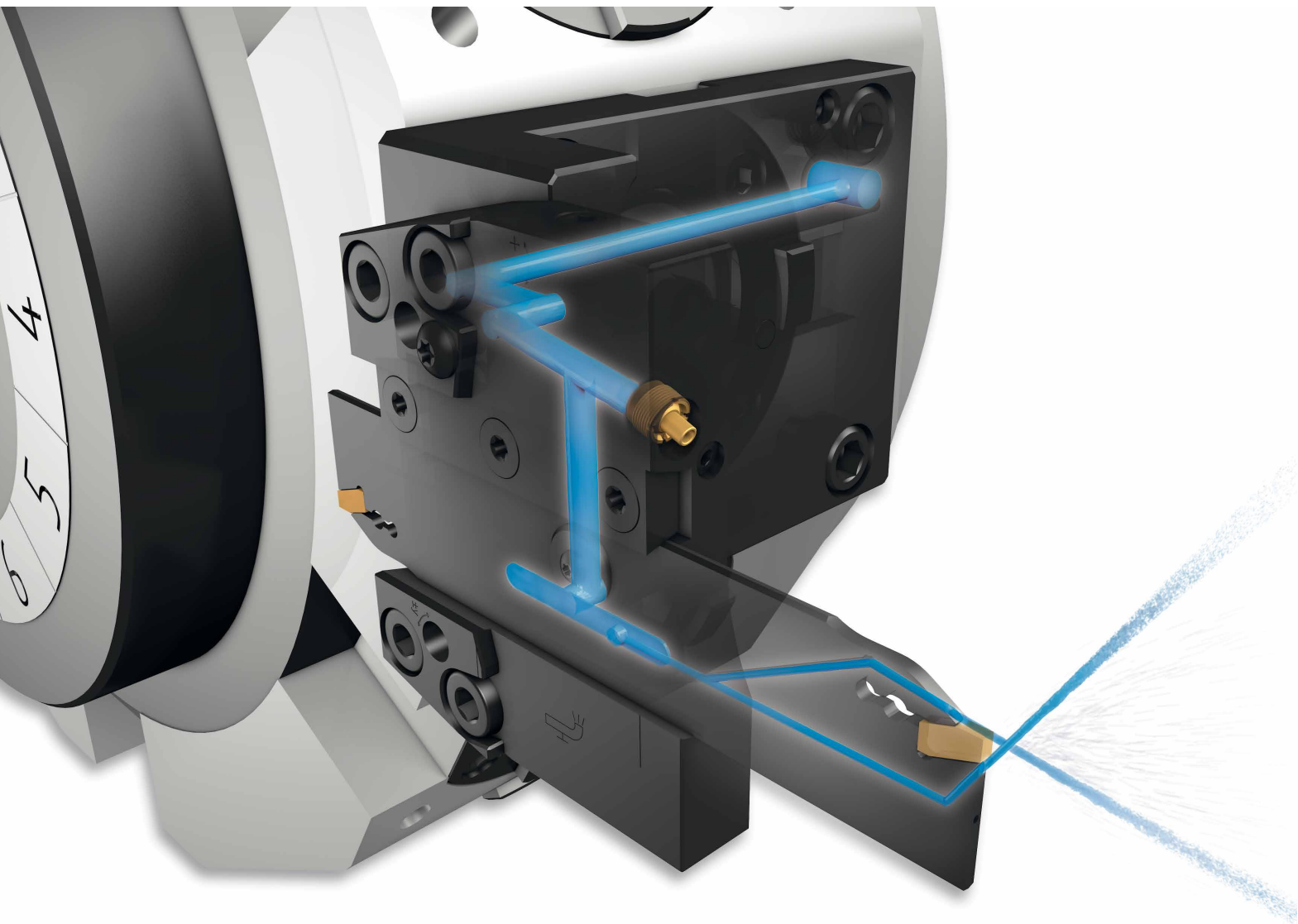


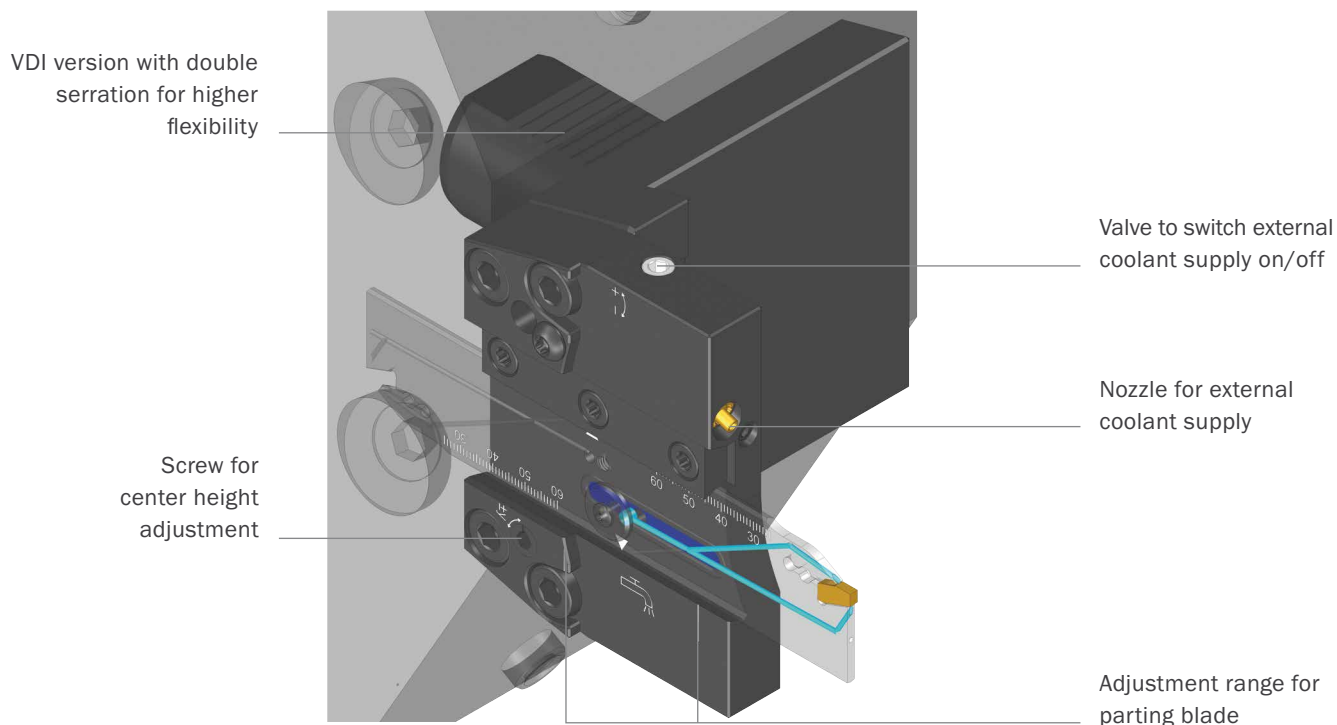
Blade Holders

with high pressure internal coolant supply
for parting and grooving.

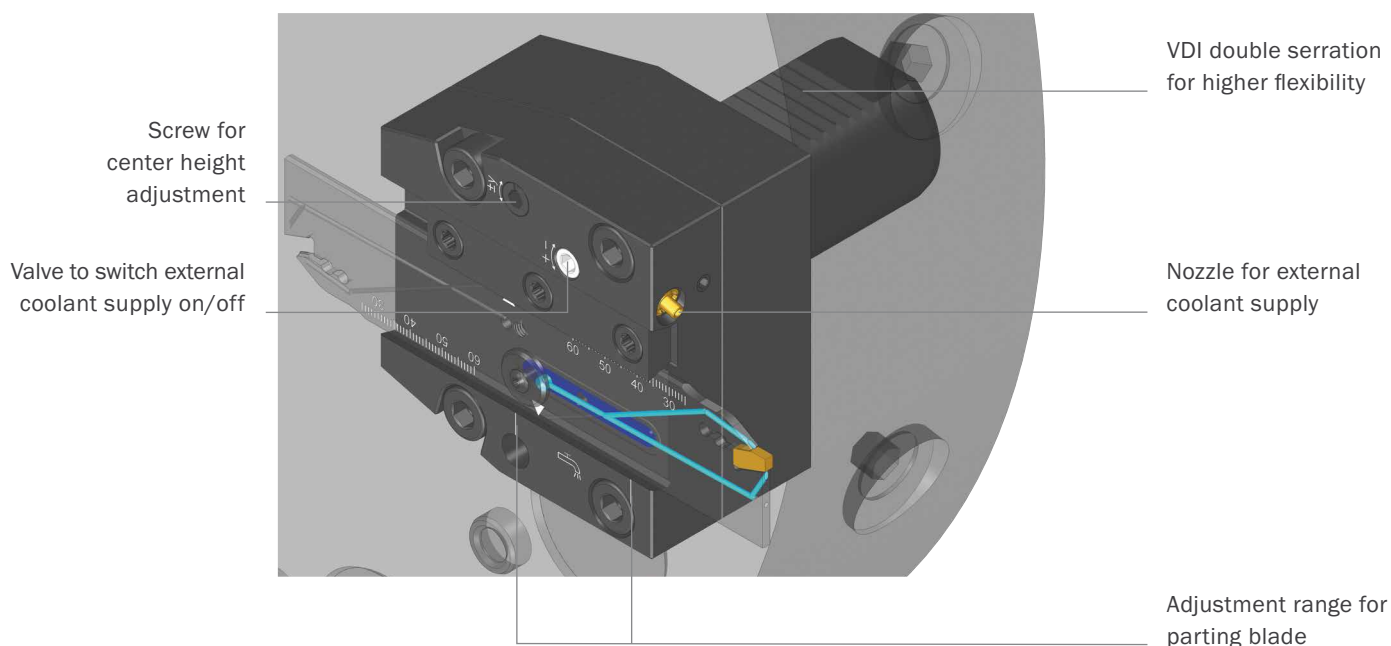


Blade Holders with high pressure internal coolant supply

For VDI and BMT radial tooling turret

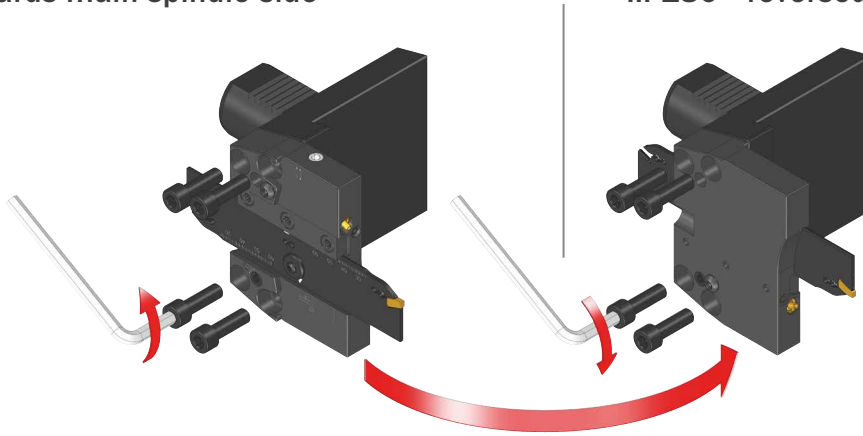


For VDI face tooling turret



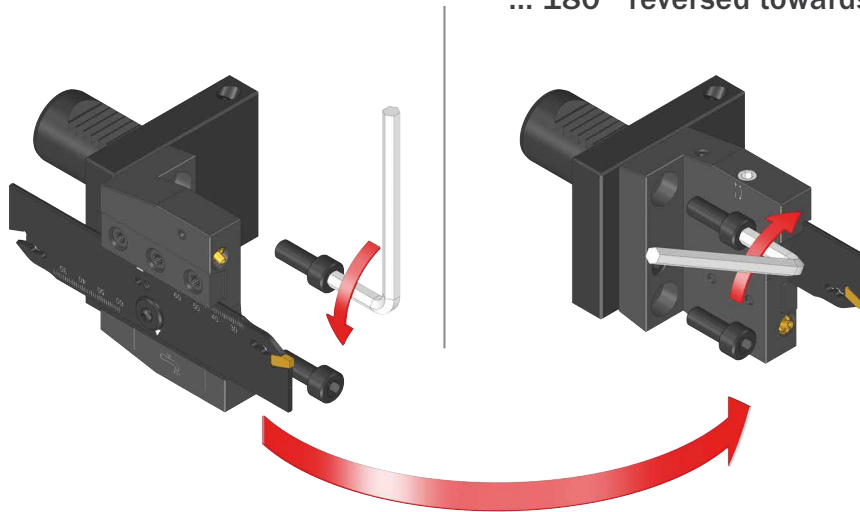
Front mounted blade holder, 180° reversible:
 ... towards main spindle side

... 180° reversed towards sub spindle side

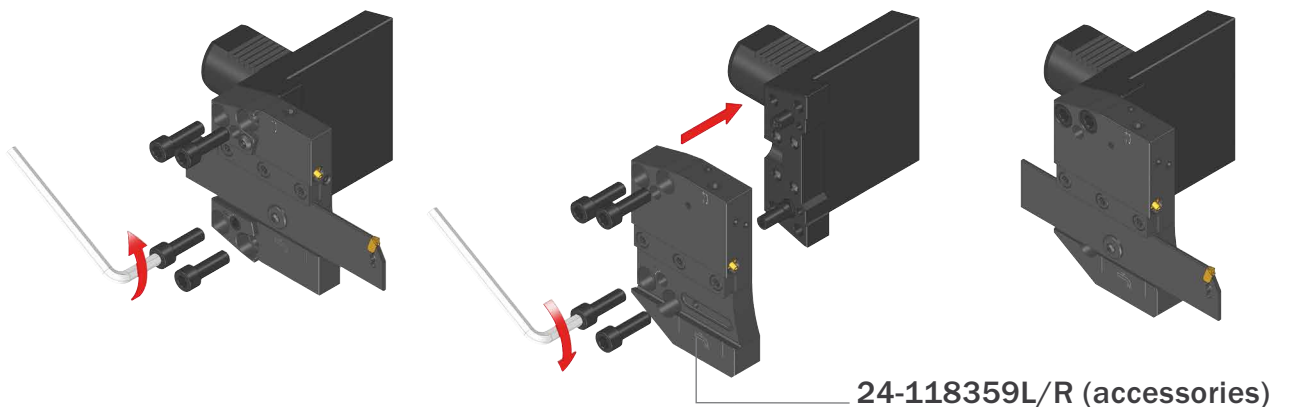


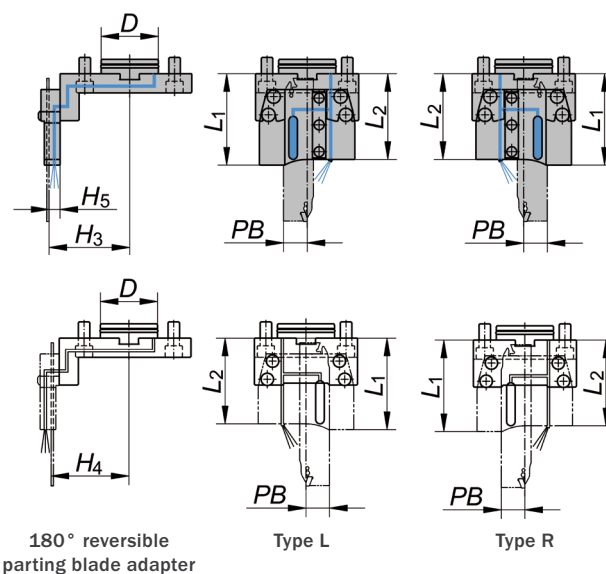
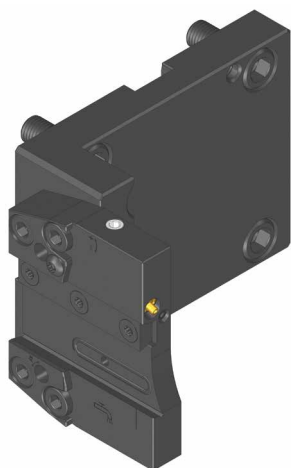
Top mounted blade holder, 180° reversible:
 ... towards main spindle side

... 180° reversed towards sub spindle side



Conversion to offset blade carrier to extend the y-axis for y-axis parting and grooving
 (for front mounted version)

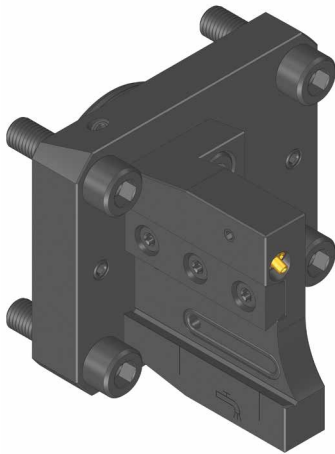




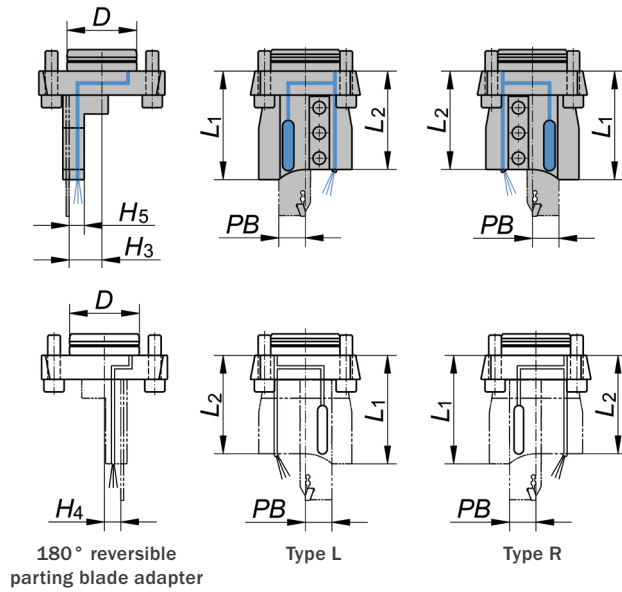
High pressure internal coolant supply through parting blade
 External coolant supply with shiftable valve
 Max. coolant pressure = 1160 PSI (80 bar)
 Adjustable center height

Item No.	Interface		Tool clamping PB (SH)	Dimensions/Data				
	ØD	Turret specification		L1	L2	H3	H4	H5
48-97953L/R	55	Biglia D 55	25 (32)	78.0	72.0	71.0	68.0	11.5
48-102252L/R	45	BMT 45	21 (26)	80.0	73.0	60.5	57.5	11.5
48-110160L/R	55	BMT 55	25 (32)	80.0	74.0	65.0	62.0	11.5
48-111142L/R	55	BMT 55	25 (32)	116.0	109.0	65.0	62.0	11.5
48-102256L/R	65	BMT 65	25 (32)	83.0	77.0	70.5	67.5	11.5
48-100082L/R	65	BMT 65	25 (32)	119.0	112.0	70.5	67.5	11.5
48-102261L/R	40	DMG MORI NZX 1500-2000	25 (32)	88.0	82.0	82.0	79.0	11.5
48-102262L/R	60	DMG MORI NLX 1500-4000	25 (32)	95.5	89.5	84.5	81.5	11.5
48-99500L/R	60	Goodway GS 2000-4000M	25 (32)	95.5	89.5	84.5	81.5	11.5
48-99650L/R	40	Mazak HQR 100/150MSY	25 (32)	130.0	123.0	45.0	42.0	11.5
48-102266L/R	40	Mazak HQR 200/250MSY	25 (32)	130.0	123.0	56.5	53.5	11.5
48-99474L/R	40	Mazak QT-100M	25 (32)	98.0	92.0	61.5	58.5	11.5
48-102264L/R	40	Mazak QT 200/250M	25 (32)	123.5	116.5	62.0	59.0	11.5
48-100318L/R	50	Mazak QT-300/350/400/450M	25 (32)	149.0	142.0	72.0	69.0	11.5
48-112062L/R	68	Mazak QT 100/200/250M	25 (32)	80.0	74.0	76.0	73.0	11.5
48-99401L/R	80	Mazak QT-300/350M	25 (32)	113.0	106.0	96.0	93.0	11.5
48-100684L/R	45	Miyano D 45	25 (32)	78.0	72.0	64.0	61.0	11.5
48-105658L/R	54	Miyano D 54	25 (32)	80.0	74.0	62.5	59.5	11.5
48-113847L/R	40	Muratec MT 12/200	25 (32)	99.0	93.0	68.0	65.0	11.5
48-109656L/R	55	Nakamura D 55	25 (32)	78.0	72.0	61.0	58.0	11.5
48-102282L/R	60	Okuma LB/LU 2000-3000, LT 3000M	25 (32)	86.5	80.5	76.0	73.0	11.5
48-101968L/R	60	Okuma LB/LU 2000-3000, LT 3000M	25 (32)	122.5	115.5	76.0	73.0	11.5
48-99304L/R	60	Okuma LB/LU 4000M	25 (32)	80.0	74.0	80.0	77.0	11.5
48-109530L/R	55	Takisawa TS-3000-5000 T15	25 (32)	86.0	80.0	75.0	72.0	11.5
48-109322L/R	65	Tsugami M06, M08	25 (32)	84.0	78.0	73.5	70.5	11.5
48-102258L/R	-	Doosan Puma (GT) 2100. 2600	25 (32)	58.0	52.0	27.0	24.0	11.5
48-104533L/R	-	DMG MORI SL 200. CMZ TD 15-55	25 (32)	65.0	59.0	36.0	33.0	11.5
48-102270L/R	-	Mazak QT 200/250	25 (32)	47.0	41.0	27.0	24.0	11.5
48-102272L/R	-	Mazak QT 300/350	25 (32)	33.0	27.0	27.0	24.0	11.5
48-102284L/R	-	Okuma LB 2000	25 (32)	60.0	54.0	27.0	24.0	11.5
48-102286L/R	-	Okuma LB 2500-4000	25 (32)	65.0	59.0	27.0	24.0	11.5

Dimensions in mm



High pressure internal coolant supply through parting blade
 External coolant supply with shiftable valve
 Max. coolant pressure = 1160 PSI (80 bar)
 Adjustable center height

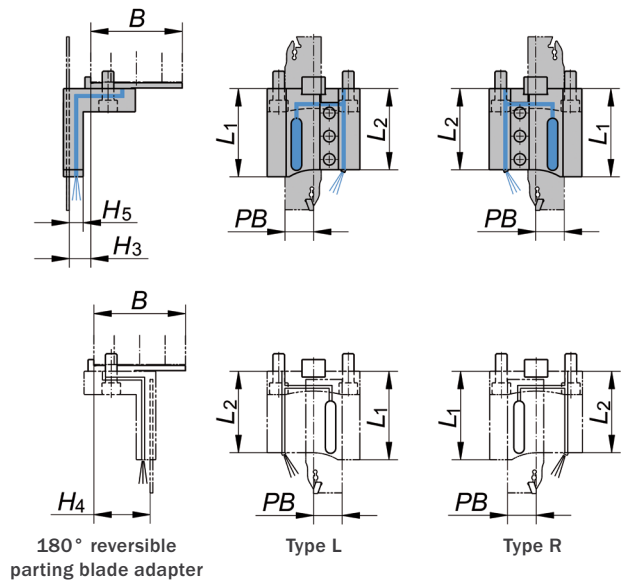


Item No.	Interface		Tool clamping PB (SH)	Dimensions/Data				
	ØD	Turret specification		L1	L2	H3	H4	H5
48-102280L/R	55,4	Okuma LT 2000 (16 stations)	21 (26)	86.0	78.0	26.0	13.0	12.0

Dimensions in mm



High pressure internal coolant supply through parting blade
 External coolant supply with shiftable valve
 Max. coolant pressure = 1160 PSI (80 bar)
 Center height adjustable using machine Y axis

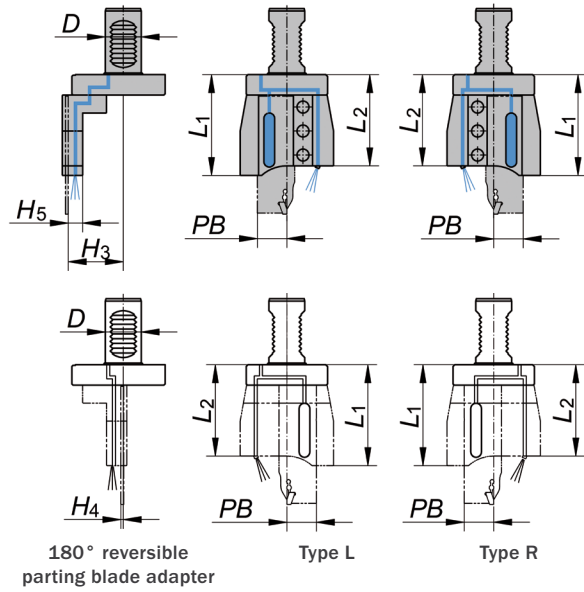


Item No.	Interface		Tool clamping PB (SH)	Dimensions/Data				
	ØD	Turret specification		L1	L2	H3	H4	H5
48-102274L/R	62	Nakamura D 44	21 (26)	66.0	59.0	15.0	37.0	12.0
48-112233L/R	62	Nakamura D 44	25 (32)	66.0	59.0	15.0	37.0	12.0
48-102276L/R	80	Nakamura D 55	25 (32)	76.0	70.0	12.5	42.5	12.0
48-99354L/R	90	Nakamura D 65	25 (32)	65.0	59.0	13.5	34.5	12.0
48-102279L/R	90	Nakamura D 65	25 (32)	65.0	59.0	8.5	39.5	12.0

Dimensions in mm



High pressure internal coolant supply through parting blade
 External coolant supply with shiftable valve
 Max. coolant pressure = 1160 PSI (80 bar)
 Adjustable center height

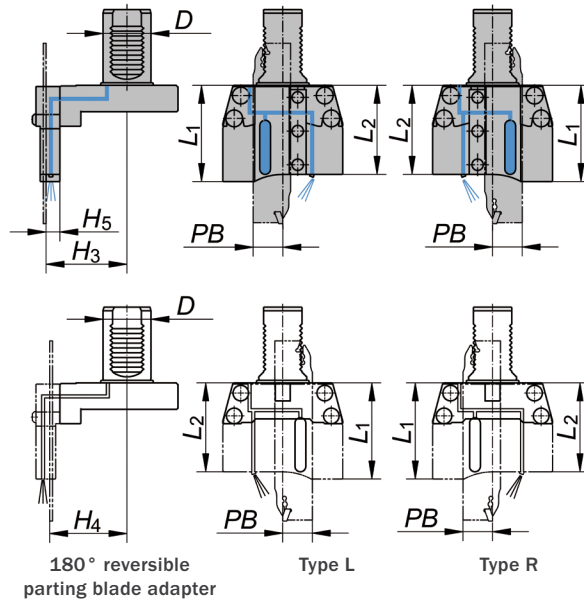


Item No.	Interface		Tool clamping PB (SH)	Dimensions/Data				
	ØD	Turret specification		L1	L2	H3	H4	H5
48-102647L/R	25	VDI25 radial tooling turret	21 (26)	83.0	75.0	38.0	1.0	12.0
48-106937L/R	25	VDI25 radial tooling turret	25 (32)	83.0	75.0	40.5	3.5	12.0
48-102630L/R	30	VDI30 radial tooling turret	21 (26)	90.0	82.0	45.0	6.0	12.0
48-102632L/R	30	VDI30 radial tooling turret	25 (32)	84.0	76.0	46.0	2.0	12.0

Dimensions in mm

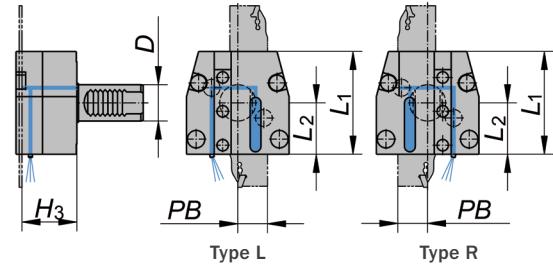


High pressure internal coolant supply through parting blade
 External coolant supply with shiftable valve
 Max. coolant pressure = 1160 PSI (80 bar)
 Adjustable center height



Item No.	Interface		Tool clamping PB (SH)	Dimensions/Data				
	ØD	Turret specification		L1	L2	H3	H4	H5
48-102643L/R	40	VDI40 radial tooling turret	25 (32)	80.0	74.0	67.5	64.5	11.5
48-99091L/R	40	VDI40 radial tooling turret	25 (32)	116.0	109.0	67.5	64.5	11.5

Dimensions in mm

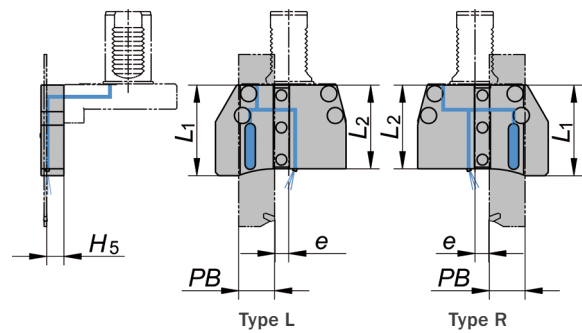
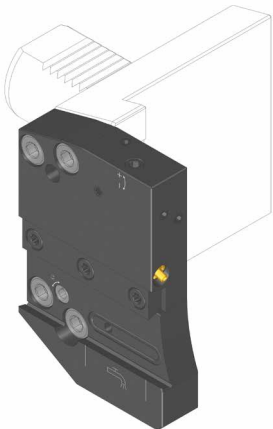


High pressure internal coolant supply through parting blade
 External coolant supply with shiftable valve
 Max. coolant pressure = 1160 PSI (80 bar)
 Adjustable center height

Item No.	Interface		Tool clamping PB (SH)	Dimensions/Data		
	ØD	Turret specification		L1	L2	H3
48-102686L/R	30	VDI30 face tooling turret	21 (26)	70.0	35.0	45.5
48-102688L/R	30	VDI30 face tooling turret	25 (32)	85.0	42.5	45.5
48-102690L/R	40	VDI40 face tooling turret	25 (32)	85.0	42.5	45.5
48-102894L/R	50	VDI50 face tooling turret	25 (32)	85.0	42.5	45.5

Dimensions in mm

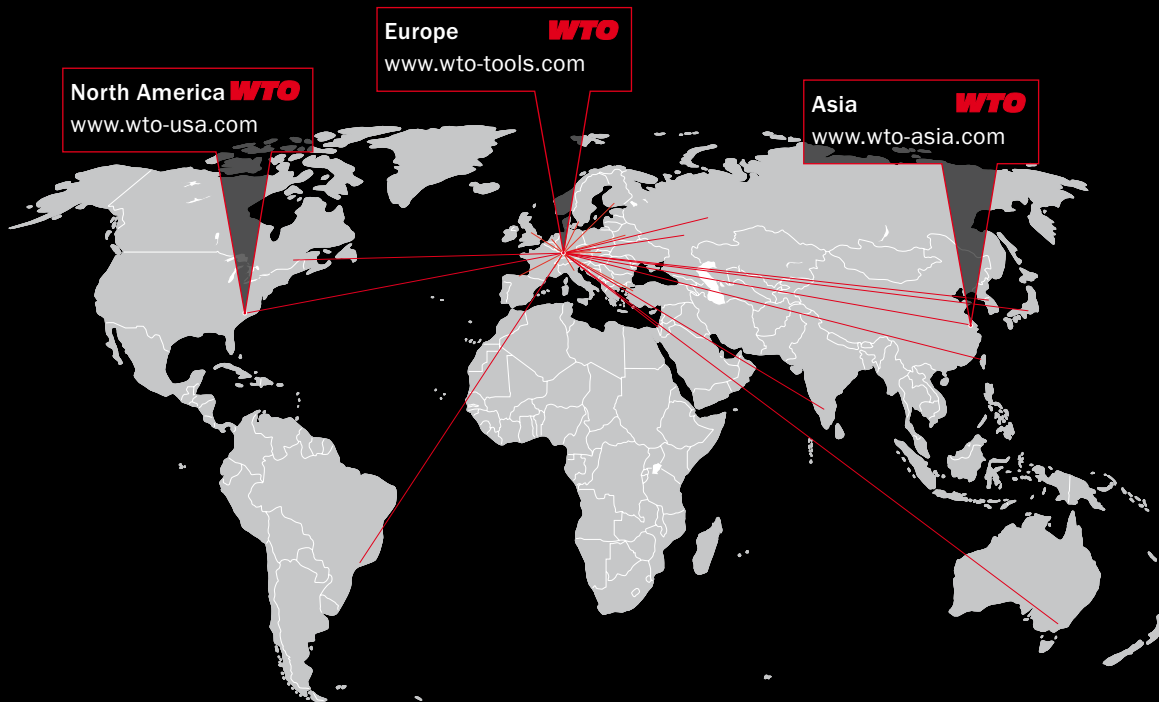
Offset blade carrier to extend the y-axis for y-axis parting and grooving
 Suitable for blade holders with front mounted blade carrier with size PB25 (SH32)



High pressure internal coolant supply through parting blade
 External coolant supply with shiftable valve
 Max. coolant pressure = 1160 PSI (80 bar)
 Adjustable center height

Item No.	Tool clamping PB (SH)	Dimensions/Data			
		L1	L2	H5	e
24-118359L/R	25 (32)	79.0	73.0	15.0	12.0

Dimensions in mm



WTO Werkzeug-
Einrichtungen GmbH
Neuer Hohdammweg 1
77797 Ohlsbach
Germany

WTO Inc.
13900-F South Lakes Dr.
Charlotte, NC 28273
USA

WTO Asia
WTO Precision Tool Holders
(Shanghai) Co. Ltd.
Room 109-110, Building 2
No. 228 Banting Road
Jiuting Town,
Songjiang District
201615 Shanghai
China

Our distribution partners. Competence right there.

Australia
Dimac Tooling Ltd.
sales@dimac.com.au

Finland
Suomen Terästuonti Oy
myynti@stt.as

Korea
WTO Office Korea
is.chon@wto-korea.com

Spain
ITALMATIC, S.A.
italmatic@italmatic.es

Belarus
LLC "PMI Engineering"
tool@pmi.by

France
Alexandre Mathelin
alm@wto.de

Mexico
Workholding Engineering De México
info@wem.com.mx

Sweden
Bonthron & Ewing AB
info@bonthron-ewing.se

Brazil
TF2
tfdois@tfdois.com.br

Great Britain
Cutwel Ltd.
sales@cutwel.net

Netherlands
Toologic BeNeLux B.V.
info@toologic-benelux.nl

Switzerland
Utilis AG
info@utilis.com

Canada
Mittmann Industrial Inc.
info@mittmann.com

India
Ulhas Patil
u.patil@wto-asia.com

Norway
Helge Karlsen Verktøy og Maskin AS
hkvm@hkvm.no

Taiwan
Kaiko Co., Ltd.
info@kaiko.com.tw

China
Shanghai Gangde
wtocando@yahoo.com

Israel
E.Y.A.R. Ltd.
boris@eyar.co.il

Poland
ARCO Andrzej Rudenko
info@arcotools.pl

Turkey
MYK CNC MAKINA SAN. VE
huseyin.tatlidil@mykcnc.com.tr

Czech Republic
ALBA precision, spol. s.r.o.
info@albaprecision.cz

Italy
Prymark srl
commerciale@prymark.it

Romania
SC Elif Trading SRL
bulent.ozkan@eliftrading.com

Ukraine
„LLC“ SPA Stankopromimport
info@phoenix-ua.com

Denmark
Tool-part
cj@tool-part.dk

Japan
NK Works Co. Ltd.
k_samba@nk-works.co.jp

Slovakia
ALBA precision s.r.o.
albaprecision@albaprecision.sk